

Part Number:

1990401

Models :

Continental (2018 onwards)

Interceptor (2018 onwards)

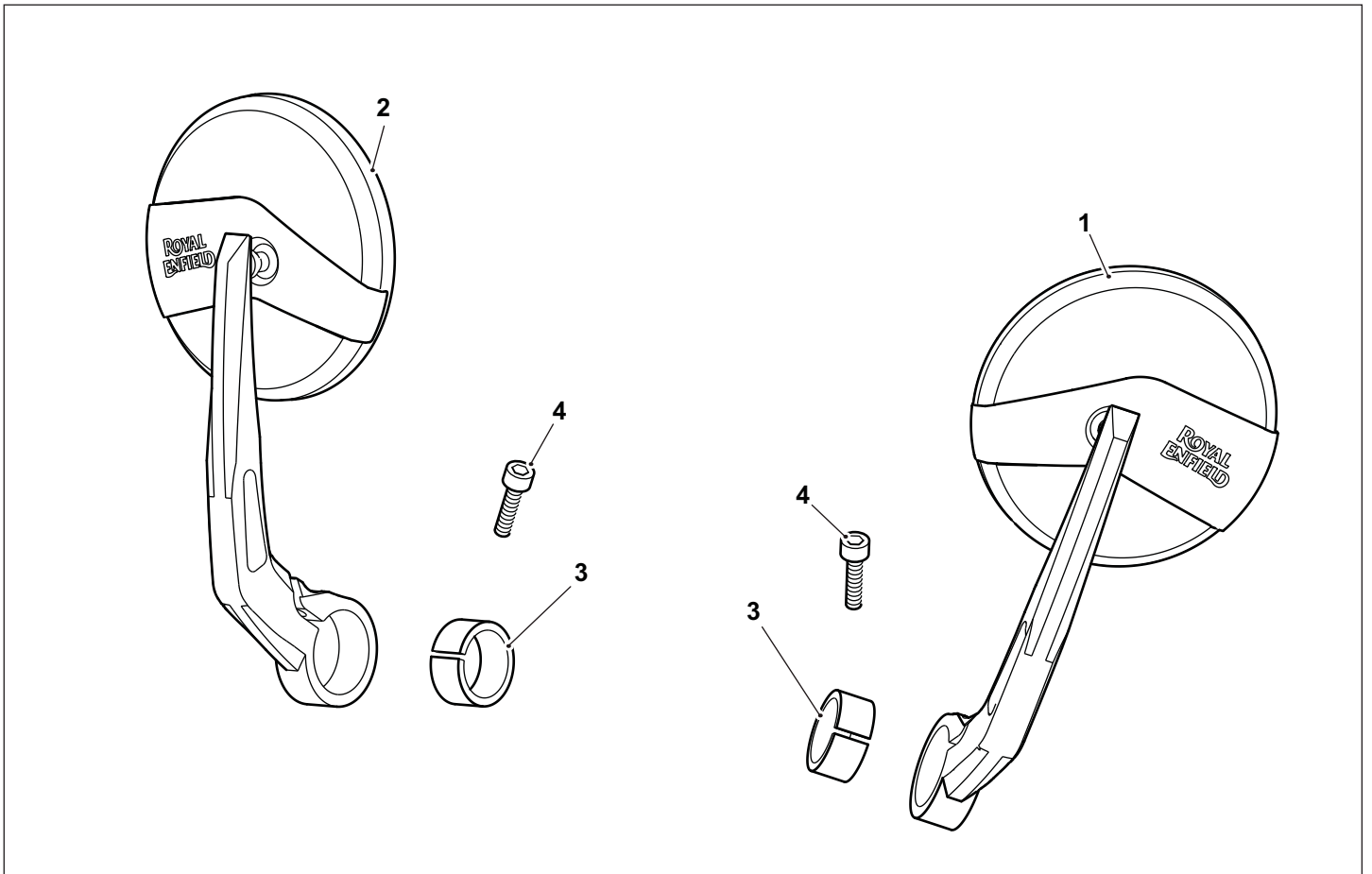
INT 650 (US Only) (2018 onwards)

WARNING: Royal Enfield genuine accessories are designed to fit only the specific Royal Enfield motorcycle(s) that are specified above. They should not be fitted to any other type of motorcycle. Pay particular attention to the warnings and cautions contained in this instruction, failure to do so may result in an incorrect installation of the accessory which could result in an unsafe riding condition and possible accident. If in any doubt always seek the help from your authorised Royal Enfield dealer.

WARNING: Before starting any accessory kit installation ensure the motorcycle is supported in a stable condition. Failure to support the motorcycle correctly could lead to motorcycle damage or personal injury.

WARNING: All fixings must be tightened to the torque values specified in this instruction. Failure to tighten fixings to the correct torque could result in an unsafe riding condition and possible accident.

NOTE: The content of this instruction is subject to change at any time without notice or liability. Royal Enfield reserves the right to revise the information presented at any time.

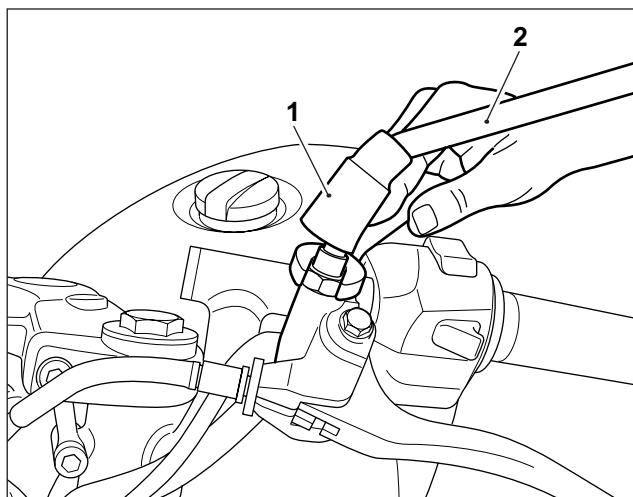


Item	Description	Qty
1	Bar end mirror, left hand	1
2	Bar end mirror, right hand	1
3	Friction ring	2
4	Fixing	2

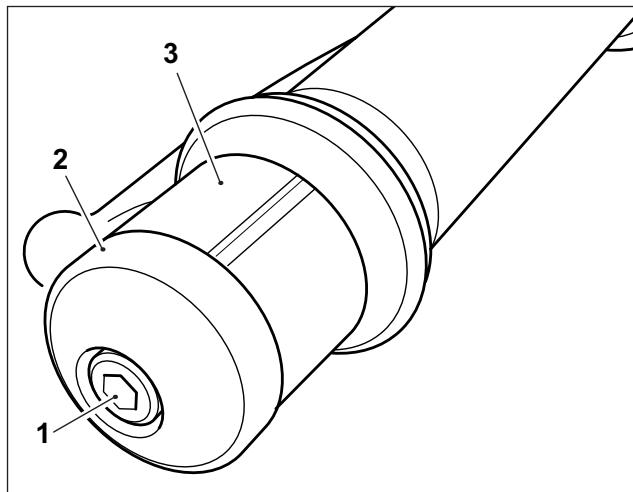
NOTE: When removing the original mirrors be advised that the mirror on the left hand side of the handlebars has a right hand thread and the mirror on the right hand side of the handlebars has a left hand thread. Ensure the mirror stem is turned in the correct direction when removing the mirrors from the handlebars.

1 Slide the rubber gaiter (1) up the original mirror stem (2) on the left hand side of the handlebars. Remove the original mirror from the handlebars.

Retain the mirrors for reuse if the accessory bar end mirrors are removed.

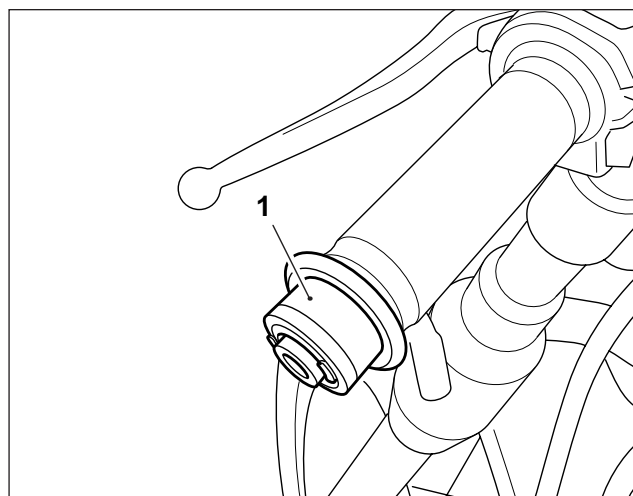


2 Remove the bar end weight fixing (1) bar end weight (2) and spacer (3) from the left hand side of the handlebars. Retain the bar end weight and fixing for reuse. Retain the spacer for reuse if the accessory bar end mirror is removed.

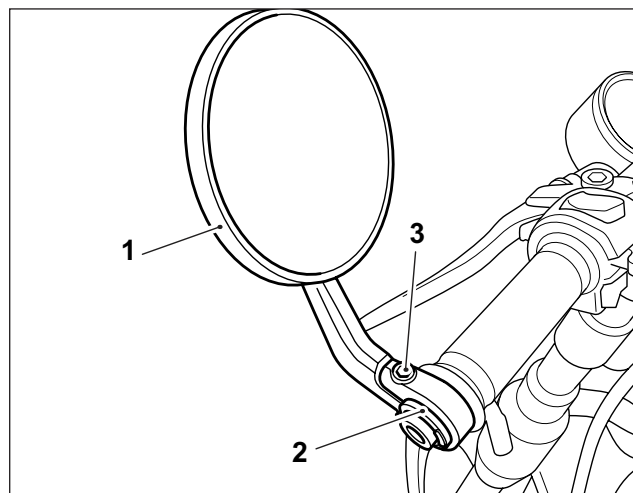


5mm Allen socket with ratchet

3 Fit a friction ring (1) from the kit on to the handlebar.



4 Fit the left hand bar end mirror (1) from the kit over the friction ring (2) on the handlebar. Fit a fixing (3) from the kit to the bar end mirror. Do not fully tighten the fixing at this stage.



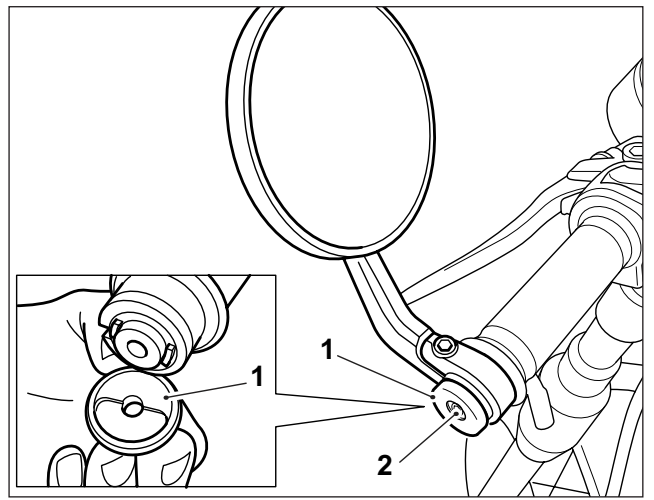
5 Adjust the bar end mirror to the preferred position and tighten the bar end mirror fixing to **8Nm**.

5mm Allen socket with torque wrench

6 Refit the bar end weight (1) with the original fixing (2) ensuring the bar end weight is aligned correctly with the anti-rotation feature in the end of the handlebar as shown. Tighten the fixing to **10Nm**.



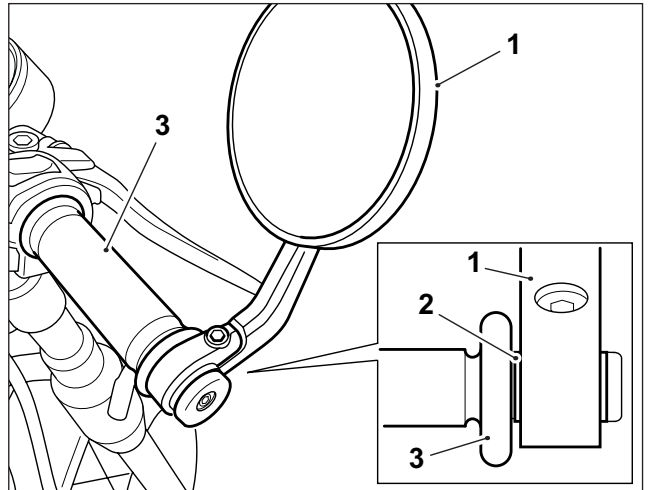
5mm Allen socket with torque wrench



7 Repeat steps 1 to 6 for the right hand side of the motorcycle.



WARNING: Ensure there is clearance between the bar end mirror (1), friction ring (2) and twist grip (3). The operation of the twist grip (3) should be smooth, without tightness and return to the throttle closed position when released. A tight, sticking or restricted twist grip can lead to loss of motorcycle control and an accident.



WARNING: Turn the handlebars to the left hand and right hand full lock position and check that the bar end mirrors do not contact any part of the motorcycle, or restrict the steering in any way. A motorcycle which has the steering restricted may become unstable and result in an accident.



WARNING: After fitting any genuine Royal Enfield accessory always ride the motorcycle with caution and allow time to become familiar with any change in the motorcycle handling characteristics. Failure to become familiar with any change in the motorcycle handling characteristics may cause the motorcycle to become unstable and result in an accident.